

# RC-4/RC-2WO GateLink Controller User Manual

**(Note: RC-2WO Receiver With 2 Relays)**

## Packing list

1.RC-4WO Receiver  
1pcs

2.Operation Brochure  
1set

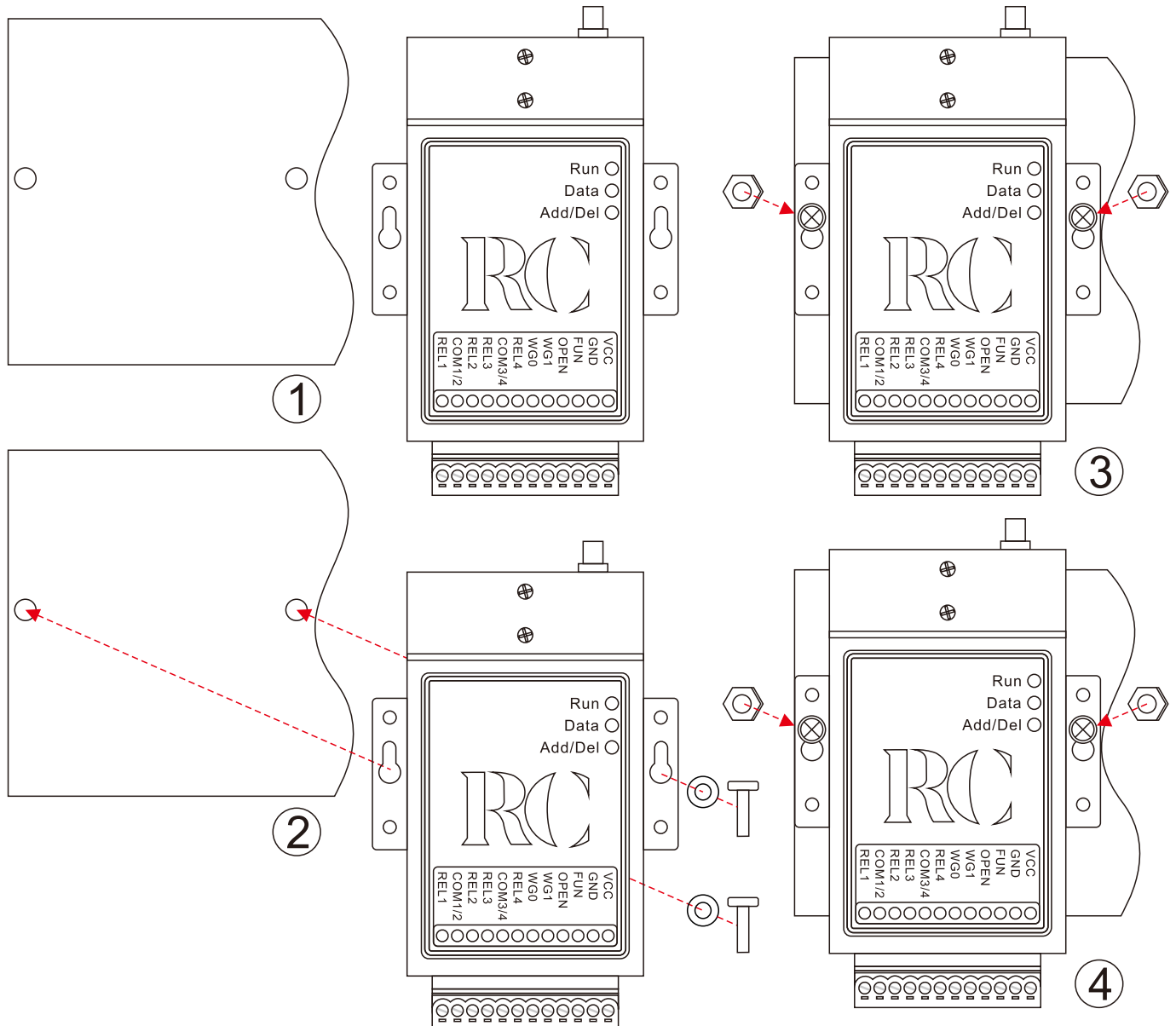
3.Antenna  
1pcs

4.Connection Terminal  
3.5\*12Pin 1pcs

5.Screws,Nuts  
3\*8mm 2pcs

6.Gasket  
3.2\*8mm 2pcs

## Installation : (Unit:mm)



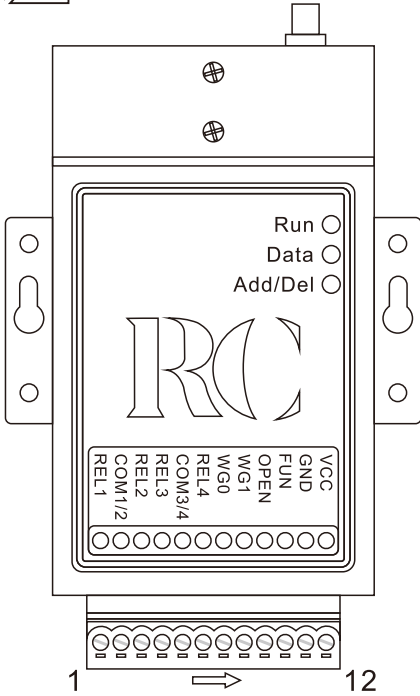
### Notice:

- 1.First, drilling the fixing holes on panel;2pcs fixing hole $\Phi$ 3.5mm;
- 2.Next,Install product, and fixing the gasket, and insert the screw into the fixing plate
- 3.install nut on screws
- 4.locks nut well, connection antenna.

# Technical Parameters

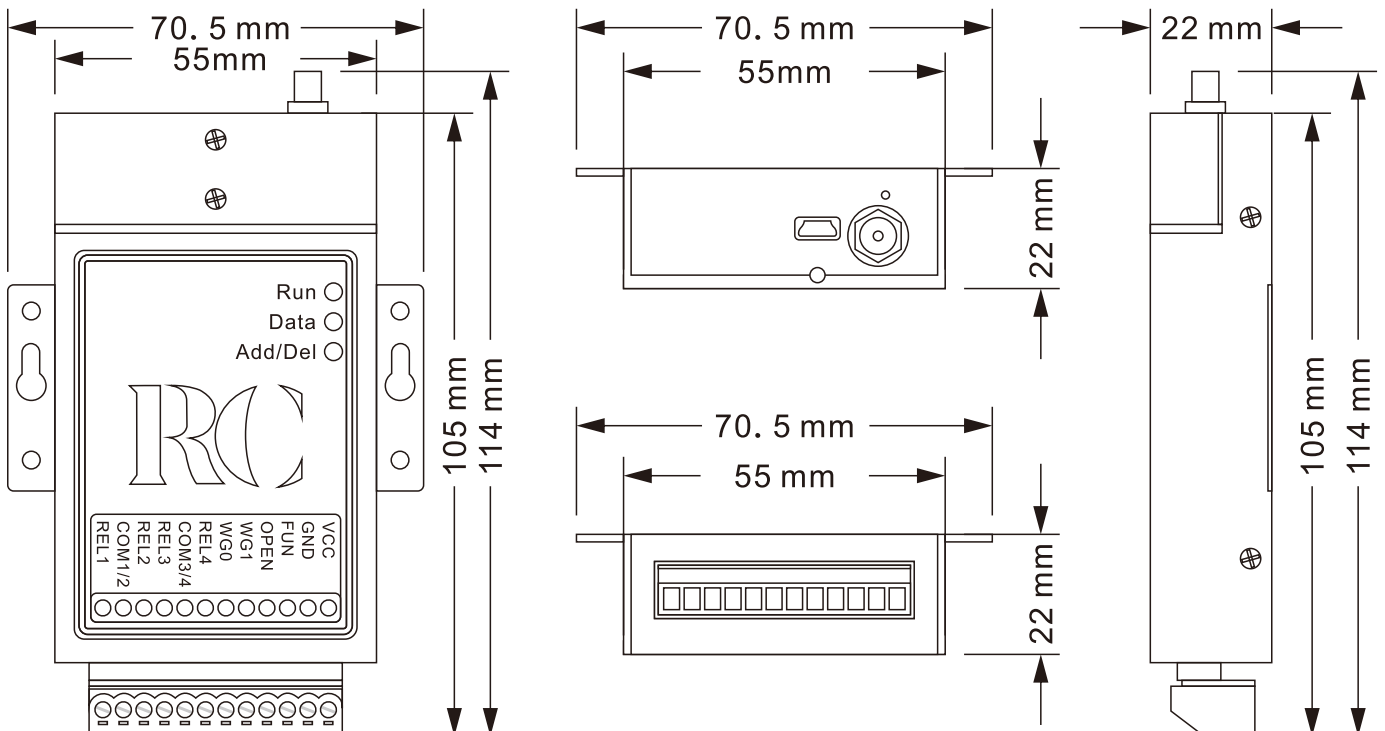
Power Supply	12-24VDC	Relay Mold	Jog (default), interlock (optional), self-lock (optional)
Standby current	8mA-20mA	Relay Load	30VDC/1A 120VAC/0.5A
Work Frequency	433MHz	working temperature	-30°C – +70°C
Modulation Type	ASK Modulation	Add/Delete ID mode	short Connect cable or by special remote transponder
Coding Type	Rolling Code	Encryption Type	Encryption by USB Cable(special Cable)
Receiving sensitivity	≤-110dBm	Storage Capacity	32Pcs ID number, Other large capacity needs to be customized

# Wiring Definition

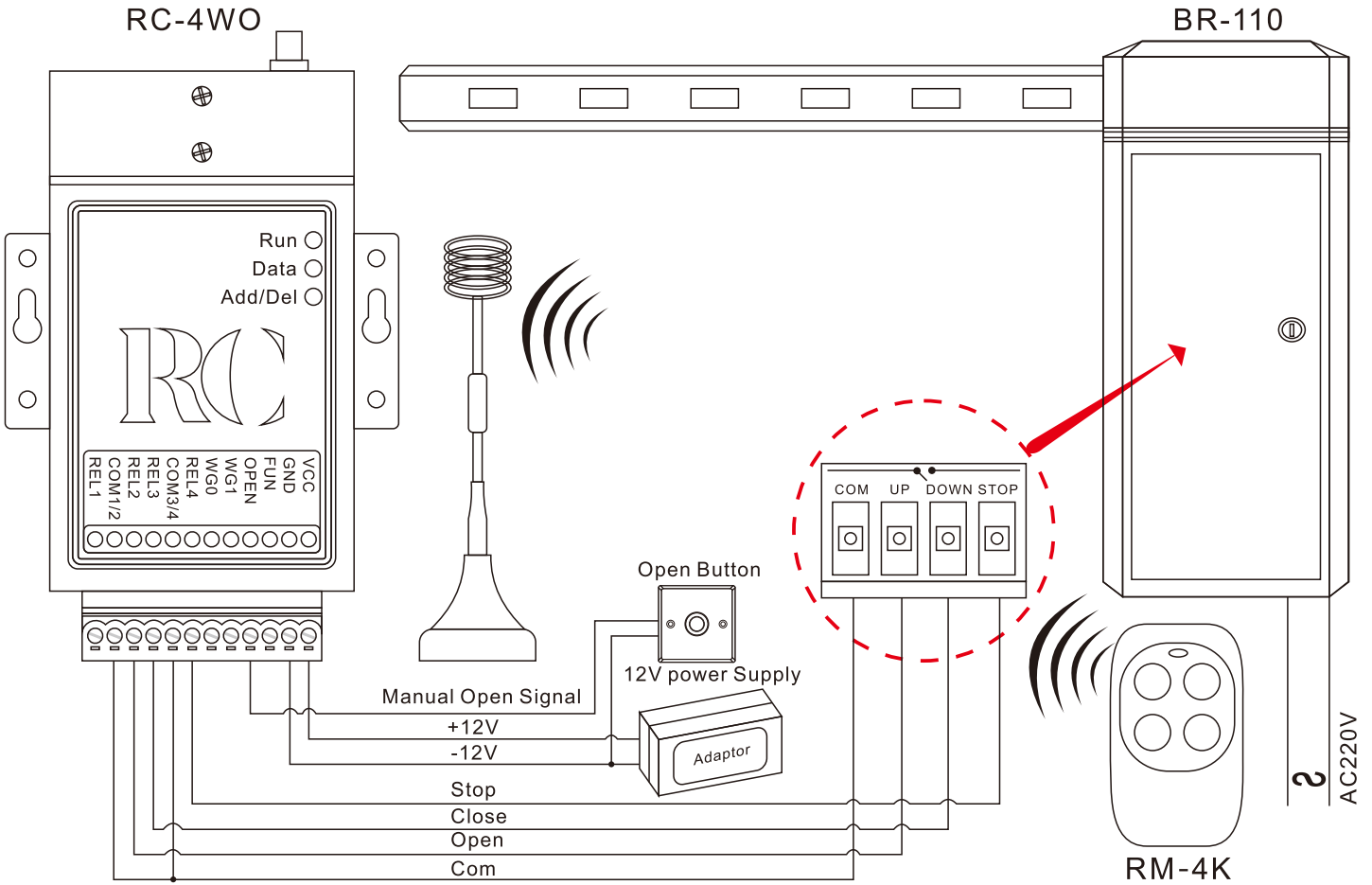


Items No.	Funciton	Description
1	REL1	Relay1 Output
2	COM1/2	Relay 1/2 COM
3	REL2	Relay2 Output
4	REL3	Relay3 Output
5	COM3/4	Relay 3/4 COM
6	REL4	Relay4 Output
7	WG0	Weigand output
8	WG1	
9	OPEN	Manual Button
10	FUN	Add(Short Connect Vcc) or Delete ID(Short Connect GND)
11	GND	12-24VDC
12	VCC	

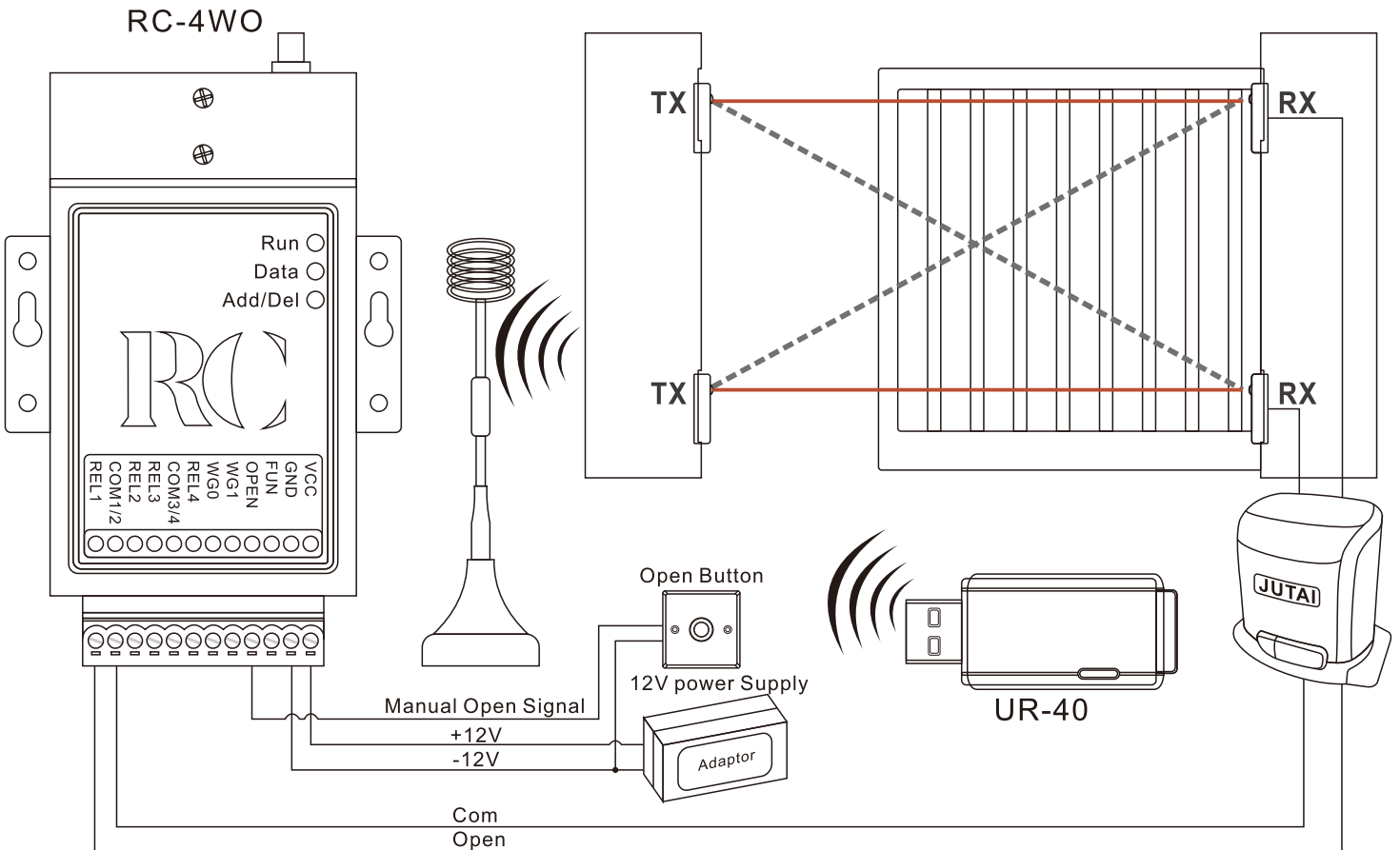
# Size(mm)



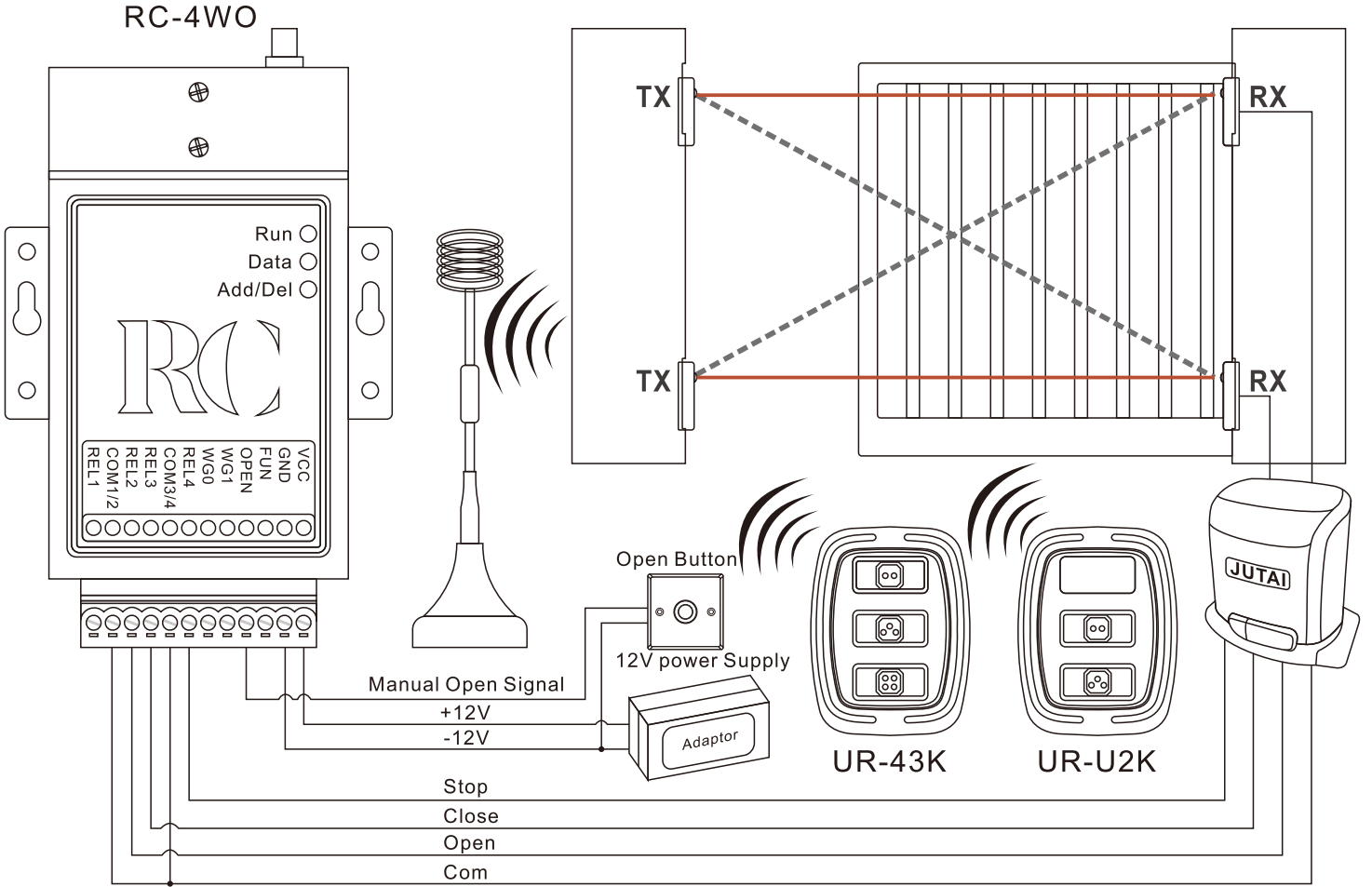
# Barrier Gate Remote Connection



# Sliding Gate Auto-Open Connection



# Sliding Gate Remote Connection



# Application Photo

